

Residential Ultra Low NOx Power Direct Vent Gas Water Heater



Photo is of
URG2PDV50H6N

The FVIR Eco-Defender Safety System[®] Models Feature:

- **ENERGY STAR[®] Qualified**—Meet or exceed requirements for ENERGY STAR[®] per the latest ENERGY STAR[®] criteria revision, as well as most utility rebate programs.
- **Ultra Low NOx Burner with Primary and Secondary Air Distribution Devices**—Ensures proper air to gas ratio for reduction of NOx generated by the combustion process.
- **Closed Combustion Venting System**—Power Direct Vent closed combustion system utilizes external air for combustion and exhausts directly to the outside through a separate two-pipe system. The equivalent feet of intake venting cannot be greater than the equivalent feet of exhaust venting.
- **Bradford White ICON System[®]**—Intelligent gas control with spark to pilot ignition system eliminates the constant burning pilot. This results in savings of pilot gas during standby periods (120 VAC).
 - **Enhanced Performance**—Proprietary algorithms provide enhanced First Hour Rating and tighter temperature differential.
 - **Advanced Temperature Control System**—Microprocessor constantly monitors and controls burner operation to maintain consistent and accurate water temperature levels.
 - **Intelligent Diagnostics**—An exclusive green LED light prompts the installer during start-up and provides ten different diagnostic codes to assist in troubleshooting.
 - **Separate Immersed Thermowell**—High-strength advanced polymer composite thermowell provides isolation between electric temperature sensor and surrounding water. No need to drain the tank when removing gas valve.
- **Cast Aluminum Air Intake Boot**—A cast molded air intake boot design provides exceptional durability during installation and operation.
- **Flammable Vapor Sensor**—Electronic sensor prevents burner operation if flammable vapors are detected. The sensor will also prevent operation if there is ongoing flammable vapors burning inside the combustion chamber.
- **Factory-Installed Hydrojet[®] Total Performance System**—Sediment reducing device that also increases first hour delivery of hot water while minimizing temperature build-up in tank.
- **Vitraglas[®] Lining**—An exclusively engineered enamel formula that provides superior tank protection from the highly corrosive effects of hot water. This formula (Vitraglas[®]) is fused to the steel surface by firing at a temperature of over 1600°F (871°C).
- **Optional Concentric Vent Kit Termination**—Concentric termination fitting provides for only one exit opening through a wall or roof. (Subtract 10ft. (3m) for intake pipe and 10ft. (3m) for exhaust pipe when calculating total vent length.)
- **Horizontal and Vertical Venting**—PVC, ABS, or CPVC (Maximum equivalent vent length for each pipe on reverse side).
- **Insulation System**—2" (51mm) Non-CFC foam insulation covers the sides and top of the tank, reducing heat loss. This results in less energy consumption, improved efficiencies, and jacket rigidity.
- **Water Connections**—3/4" (19mm) NPT factory-installed true dielectric fittings extend water heater life and simplify water line connections.
- **3/4" (19mm) NPT Side Connections**—(URG2PDV50H6N only).
- **Factory-Installed Heat Traps**—Design incorporates a flexible disk that reduces heat loss in piping and eliminates the potential for noise generation.
- **Protective Magnesium Anode Rod.**
- **T&P Relief Valve**—Installed.
- **Low Restrictive Brass Drain Valve**—Durable tamper proof design.
- **Complies with the latest Ultra Low NOx requirement (10 ng/J NOx limit).**

FEATURING:



6 or 10-Year Limited Tank Warranties / 6 or 10-Year Limited Warranty on Component Parts

For more information on warranty, please visit www.bradfordwhite.com

For products installed in USA, Canada, and Puerto Rico. Some states do not allow limitations on warranties. See complete copy of the warranty included with the heater.

Residential Power Direct Vent Gas Water Heater

Power Direct Vent Models

NATURAL GAS

Meet or exceed ASHRAE 90.1b (current standard) C.E.C. Listed
78% Recovery Efficiency

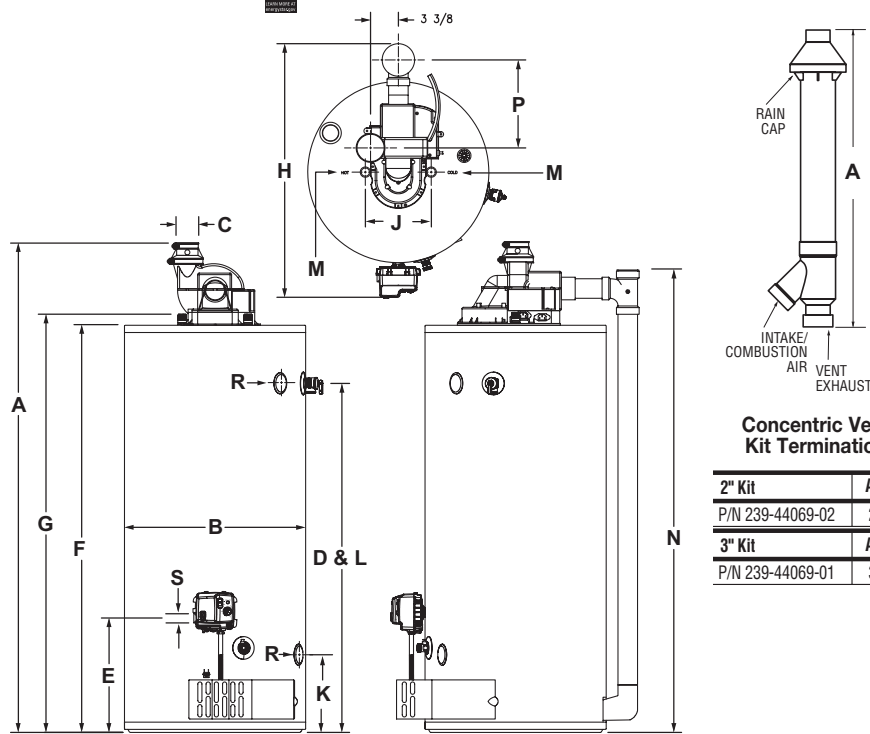
Model Number	Nominal Gal. Capacity		DOE Rated Storage Volume (Gal.)	Input BTU/Hr.	First Hour Rating (Gal.)	Uniform Energy Factor	Recovery at 90°F Rise*		Model Number	Nominal Liter Capacity	DOE Rated Storage Volume (Liters)	Input kW	First Hour Rating (Liters)	Uniform Energy Factor	Recovery at 50°C Rise*	
	U.S. Gal.	Imp. Gal.					U.S. GPH	Imp. GPH							U.S. GPH	Imp. GPH
★ URG2PDV40S6N	40	33	38	40,000	75	0.70	43	36	★ URG2PDV40S6N	151	144	11.7	284	0.70	163	
★ URG2PDV50S6N	50	42	48	40,000	80	0.68	43	36	★ URG2PDV50S6N	189	182	11.7	303	0.68	163	
★ URG2PDV50H6N	48	40	46	50,000	82	0.68	64	45	★ URG2PDV50H6N	182	174	14.7	311	0.68	242	

Model Number	A Floor to Exhaust Conn. in.	B Jacket Dia. in.	C Vent Size in.	D Floor to T&P Conn. in.	E Floor to Gas Conn. in.	F Floor to Top of Heater in.	G Floor to Water Conn. in.	H Depth in.	J C/L of Water Conn. in.	K Floor to Space Heating Inlet in.	L Floor to Space Heating Outlet in.	M Water Conn. NPT in.	N Floor to Air Intake in.	P C/L Distance from Intake to Exhaust in.	R Space Heating Conn. Size in.	S Gas Conn. Size in.	Approx. Shipping Weight lbs.
★ URG2PDV40S6N	59 7/8	22	2 or 3	42 9/16	13 15/16	49 9/16	50 15/16	32 5/16	8	N/A	N/A	3/4	59 7/16	10 1/2	3/4	1/2	170
★ URG2PDV50S6N	60 7/8	24	2 or 3	43 1/16	13 15/16	50 9/16	52	34 5/16	8	N/A	N/A	3/4	60 7/16	11 1/2	3/4	1/2	196
★ URG2PDV50H6N	69 1/16	22	3 or 4	52 5/16	13 15/16	59 9/16	50 9/16	30 7/16	11	13 13/16	52 5/16	3/4	69 3/16	8 7/8	3/4	1/2	208

Model Number	A Floor to Exhaust Conn. mm.	B Jacket Dia. mm.	C Vent Size mm.	D Floor to T&P Conn. mm.	E Floor to Gas Conn. mm.	F Floor to Top of Heater mm.	G Floor to Water Conn. mm.	H Depth mm.	J C/L of Water Conn. mm.	K Floor to Space Heating Inlet mm.	L Floor to Space Heating Outlet mm.	M Water Conn. NPT mm.	N Floor to Air Intake mm.	P C/L Distance from Intake to Exhaust mm.	R Space Heating Conn. Size mm.	S Gas Conn. Size mm.	Approx. Shipping Weight kg.
★ URG2PDV40S6N	1521	559	51 or 76	1081	354	1259	1294	821	203	N/A	N/A	19	1510	267	19	13	77
★ URG2PDV50S6N	1546	610	51 or 76	1094	354	1284	1321	872	203	N/A	N/A	19	1535	292	19	13	89
★ URG2PDV50H6N	1754	559	76 or 102	1329	354	1513	1275	773	279	351	1329	19	1757	225	19	13	94

Available in Natural Gas only. For 10 year model, change suffix "6" to "10". *Based on manufacturer's rated recovery efficiency. 110 VAC Required for Power Venting / 110 VAC, 60Hz., 3.1 Amperes. Uniform Energy Factor and First Hour Rating is based on the latest AHRI directory listings.

★ = ENERGY STAR® Qualified.



2" Vent Pipe	URG2PDV40S6N	URG2PDV50S6N
Max. Intake Length	35 ft.	
Max. Exhaust Length	35 ft.	
Min. Vent Length	7 ft.	
Number of 90° Elbows	1: 30 ft. 2: 25 ft. 3: 20 ft.	

3" Vent Pipe	URG2PDV40S6N	URG2PDV50S6N	URG2PDV50H6N
Max. Intake Length	85 ft.	60 ft.	
Max. Exhaust Length	85 ft.	60 ft.	
Min. Vent Length	7 ft.	7 ft.	
Number of 90° Elbows	1: 80 ft. 2: 75 ft. 3: 70 ft.	1: 55 ft. 2: 50 ft. 3: 45 ft.	

4" Vent Pipe	URG2PDV50H6N
Max. Intake Length	100 ft.
Max. Exhaust Length	100 ft.
Min. Vent Length	7 ft.
Number of 90° Elbows	1: 95 ft. 2: 90 ft. 3: 85 ft.

Subtract 5ft. (1.5m) for each additional 90° elbow.

General:

All gas water heaters are certified at 300 PSI test pressure (2068 kPa) and 150 PSI working pressure (1034 kPa). All water connections are 3/4" NPT (19mm). All gas connections are 1/2" (13mm).

All models design-certified by CSA International (formerly AGA/CGA), to meet ANSI standard Z-21.10.1 and peak performance rated.

Dimensions and specifications subject to change without notice in accordance with our policy of continuous product improvement.

Suitable for Water (Potable) Heating and Space Heating.

Toxic chemicals, such as those used for boiler treatment, shall NEVER be introduced into this system. This unit may NEVER be connected to any existing heating system or component(s) previously used with a non-potable water heating appliance.

— BRADFORD WHITE IS —



Sales: 800-523-2931 ■ Fax 215-641-1612
24/7 Technical Support: 800-334-3393 ■ Email techserv@bradfordwhite.com

Built to be the Best®